

AI- Logo Detection and PDF Handling

APOLLO.AI - UPDATEMI

@_FIBEP
#FIBEP
#WMIC17

Speaker:
Andreas Schietz

Company:
Updatemi/Appollo.ai

[linkedin.com/in/schietz](https://www.linkedin.com/in/schietz)

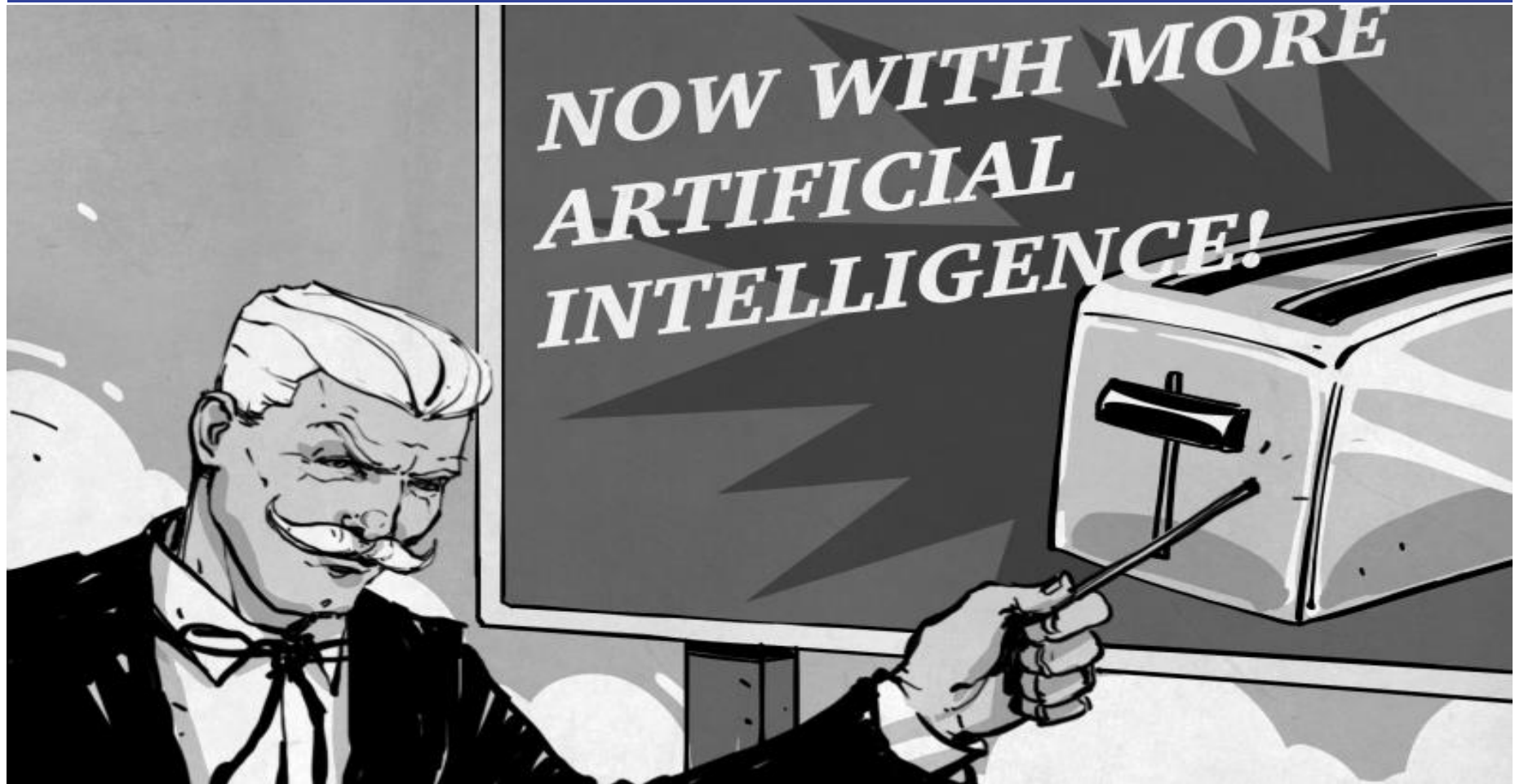


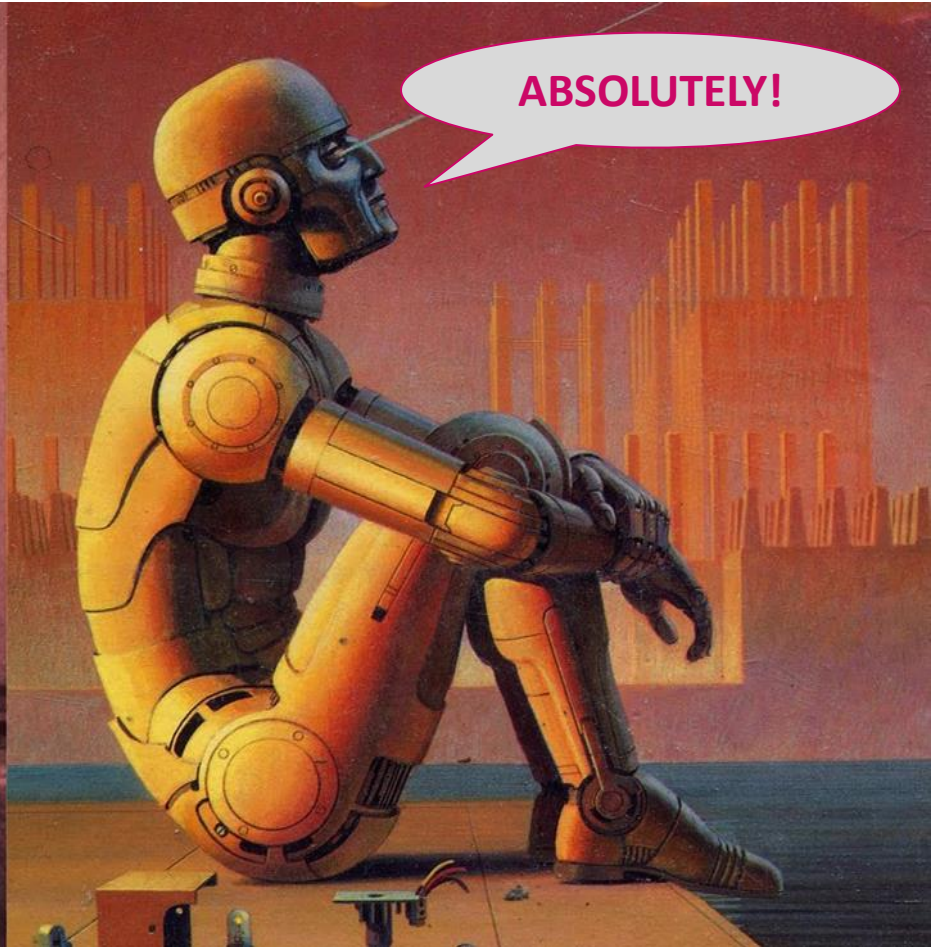
WORLD MEDIA INTELLIGENCE
CONGRESS

BERLIN _____ 4-6 October 2017

@_FIBEP
#FIBEP
#WMIC17







CORE TECHNOLOGY by ARTIFICIAL INTELLIGENCE

MEDIA MONITORING

MEDIA



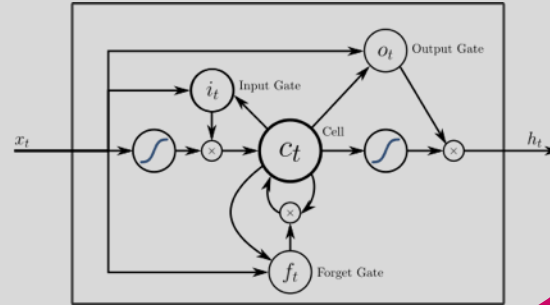
Auto Abstract & Article Clustering

PDF Segmentation



Auto Abstract & Article Clustering

Print Digitalization



Research 2 years

Next step: neural network language modeling

GOAL: provide technology for better & faster results at less costs



make media monitoring great again !

